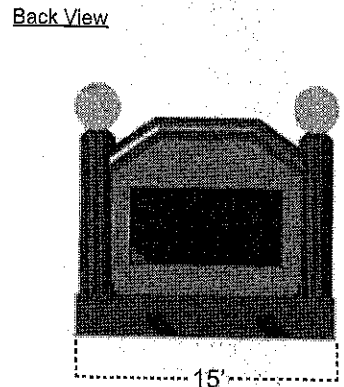
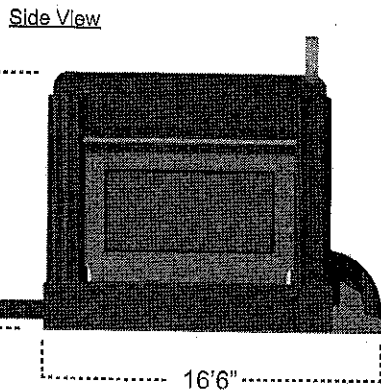
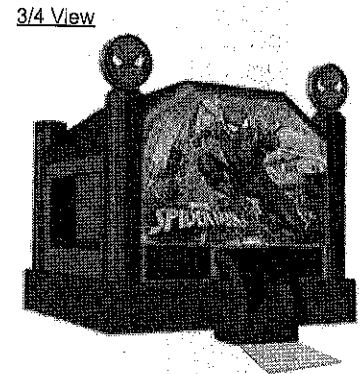
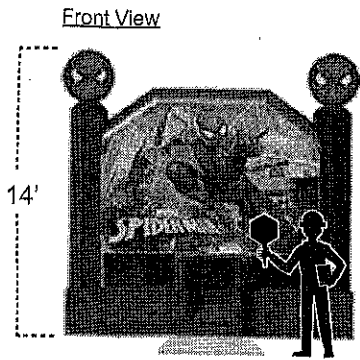
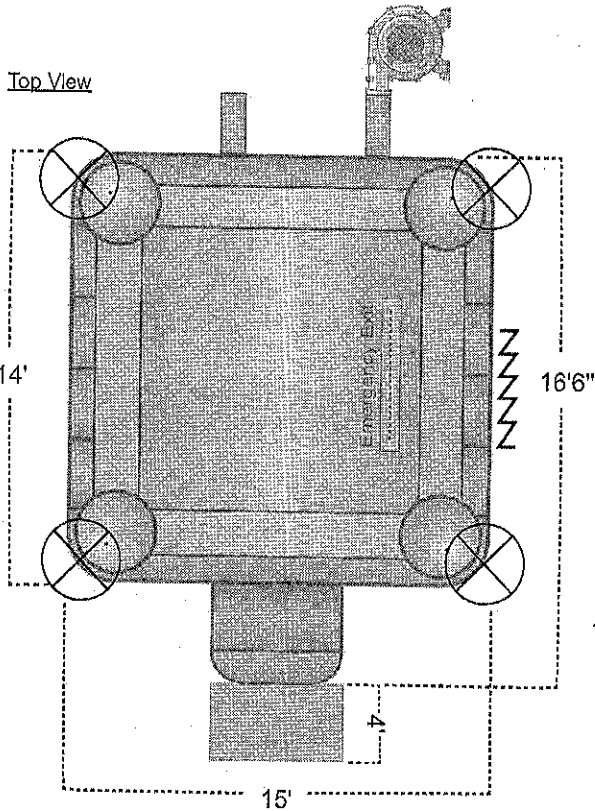


Anchoring Positions
This inflatable contains: 4 Anchor Points

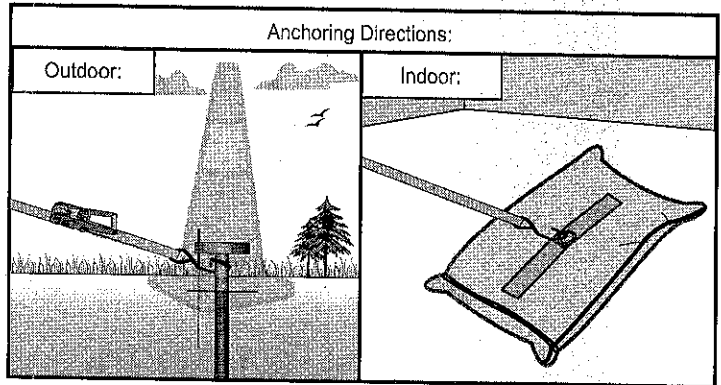
Legend:							
Anchor Points	Blower	Deflation Zipper	Inflation Tube	Impact Mats*	Misting System	Operator Positions	



*Impact Mats required per ASTM F2374

Impact Mat Installation:

• ASTM F2374 requires that impact mats be placed where patrons enter and/or exit the inflatable. Impact mats should extend at least 4ft (1.2m) from any uncontained edge of the inflatable. Securely fasten impact mats to inflatable ramps using 2" carabiners (built in D-ring's found under all inflatables manufactured after October 2018).



Safety labels found on inflatable:

Patron Safety Rules (SR1)